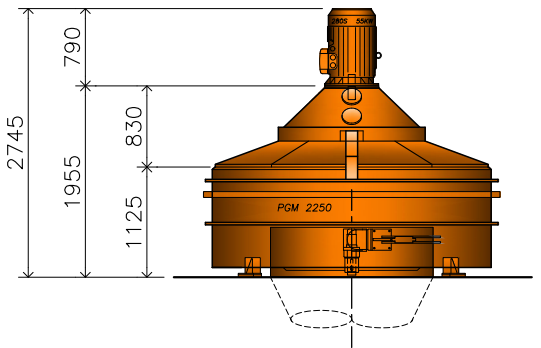
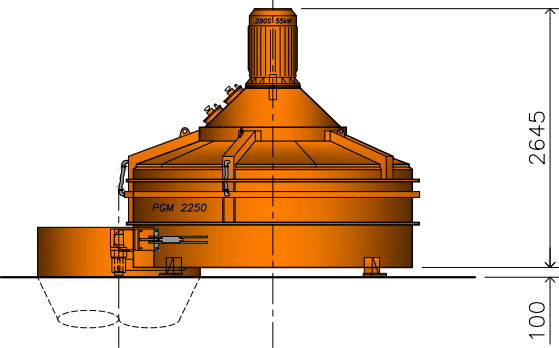
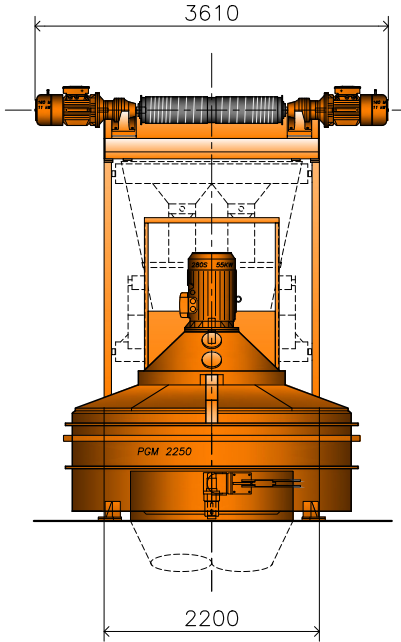
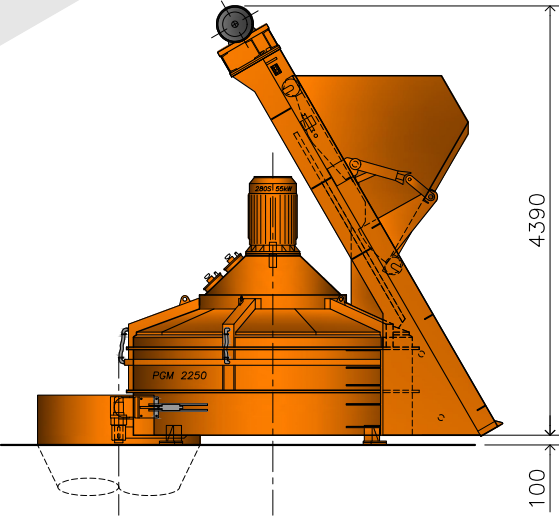
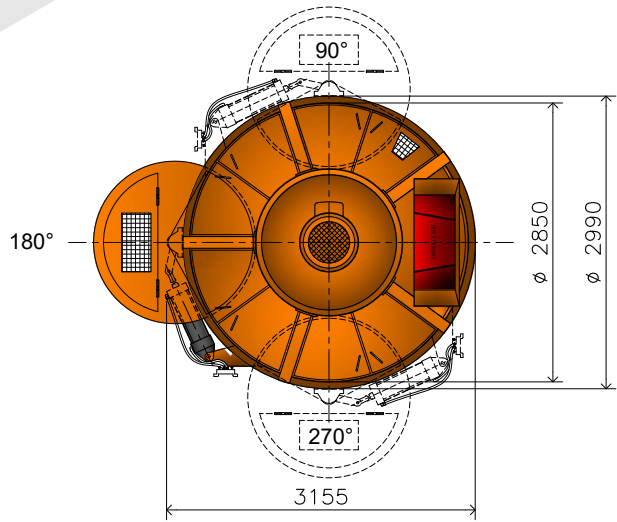


Taurus Planetary Countercurrent Mixer

PGM 2250-1500



Technical data Planetary Mixer Taurus PGM 2250 / 1500

Dry filling capacity	Ltr	2250
Output per batch, compacted	Ltr	1500
Mixer drive motor	kW	55
Mixing stars	n°	2
Mixing shovels / mixing star	n°	2
Mixing shovels width	mm	4 x 510
Side scrapers	n°	2
Side scrapers width	mm	480
Speed of rotor	Rpm	9,8
Speed of mixing stars	Rpm	35,1
Water spray nozzles	n°	10
Weight of mixer	kg	6200

Technical data Skip-Hoist Taurus PGM 2250 / 1500

Dry filling capacity	Ltr	2250
Max filling weight	kg	3250
Hoist drive motor	kW	2 x 11
Speed of hoist up / down	n°	0,4 / 0,8
Dia. of hoisting wire	mm	11

